

Remote Display/ Programmer

Compatible with all iSeries Meters and Controllers

\$150
RD4



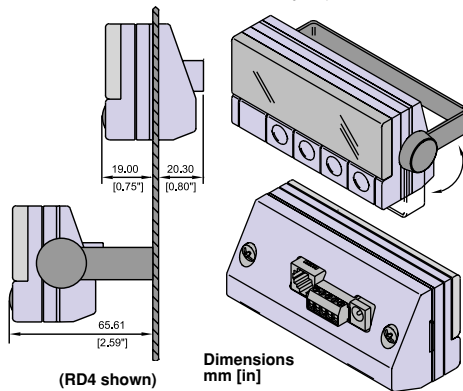
- ✓ 1/8 DIN Panel Cutout or Surface Mount
- ✓ Big LED's - RD4 is 21 mm (.83") and RD6 is 17.3 mm (.68")
- ✓ Alarm Indicators, and Color change
- ✓ Serial Input ASCII RS-232, RS-485 Menu selectable
- ✓ NEMA-4 (IP65) 1/8 DIN Bezel
- ✓ 20 mm (0.80") Behind Panel and only 39 mm (1.6") overall

REMOTE DISPLAY

The **RD4/RD6** are 4 or 6 digit master/slave displays providing remote readout from instruments such as programmable controllers, digital panel meters and other instruments with serial output. Two communication interfaces are supported in remote Display: RS-232 and RS-485 and can be programmed through front panel buttons. The **RD4/RD6** remote display can be mounted in a 1/8 DIN panel cutout, or surface mounted with the included bale. The **RD4** and **RD6** features big bright 21mm (.83") and 17.3 mm (.68") 9-segment LED's that can be programmed to change color between Green, Amber and Red to indicate alarms. Serial Connections can be made to an RJ-11 jack or screw terminals.

In the Slave mode, the **RD4** and **RD6** can be used for displaying Alphanumerical characters from a computer. Power is supplied from 10 to 36Vdc power supply or optional universal 100 - 240 Vac power adapter.

(Compatible Host device must feature serial RS232 or RS485 output).



Specifications

Serial: ASCII Interface RS-232/RS-485

Baud rate:

300, 600, 1200, 2400, 4800, 9600, 19200.

Data Formats: 7 data/odd parity/ 1 stop,

7 data/even parity/1 stop,

8 data/no parity/1 stop.

Power Requirements: 10 to 36 Vdc, or

universal power adapter, nominal output:

9Vdc @ 0.5mA; input: 100-240 Vac, 50/60Hz

Power Consumption: 2 W

Operating Temperature: 0-50°C (32-122°F)

Relative Humidity: 0 to 85%

Storage Temperature:

-20 to +85°C (-4 to +185°F)

RD4 Display:

4-Digit, 9-segment LED 21mm (0.83")

RD6 Display:

6-Digit, 9-segment LED 17.3mm (0.68")

Protection: NEMA-4 (IP65)

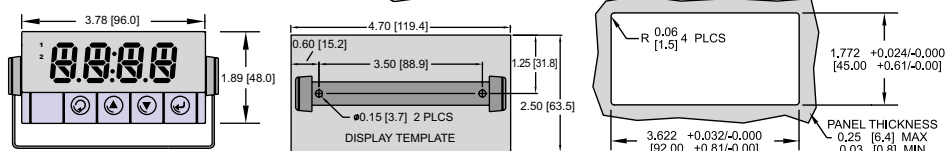
Mechanical Dimensions:

96 x 48 x 39mm (3.78 x 1.89 x 1.6")

Panel Cutout: 92 x 45 mm (3.622 x 1.772")

**Remote Displays
change color
at any set point***

Totally Programmable Color Displays



To Order (*Specify Model No.)		
Model Number	Description	Price
RD4	4-Digit Remote Display for iSeries Monitors and Controllers	150
RD6	6-Digit Remote Display for iSeries Monitors and Controllers	200
Options		
UNIV-AC-100/240	Universal ac power adapter. Nominal output: 9 Vdc @ 0.5 mA, Input: 100-240 Vac, 50/60 Hz	25

Model Number	Description	Price
iLD24-EI	2.25" 4-digit display with Ethernet, RS-485/422 Input*	795
iLD44-EI	4" 4-digit display with Ethernet, RS-485/422 Input*	995
iLD26-EI	2.25" 6-digit display with Ethernet, RS-485/422 Input*	995
iLD46-EI	4" 6-digit display with Ethernet, RS-485/422 Input*	1,195

*See Big Displays Section for complete details on these products.