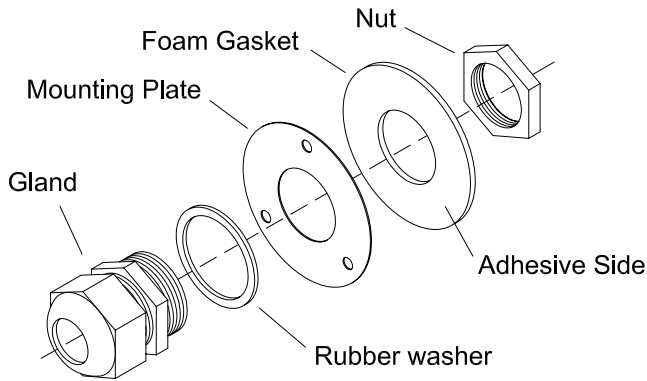


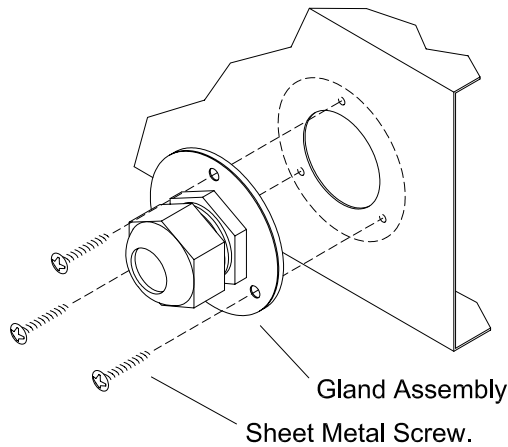
## IND-KIT

### AIR DUCT INSTALLATION (WITHOUT ACCESS TO INSIDE OF DUCT)

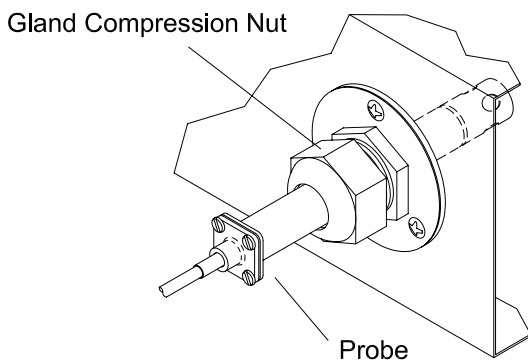
1. Apply foam gasket (remove protective paper) to mounting plate. Fasten together with gland and gland nut. Tighten securely.



2. Drill 1½" hole through duct wall. Use gland assembly for location of mounting screw holes. Drill ⅛" diameter holes, 3 places. Fasten gland assembly to duct wall using 3, #8 sheet metal screws.

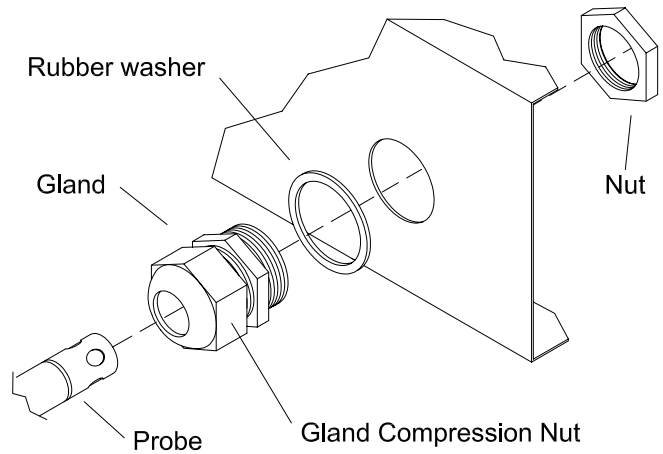


3. Insert probe through gland and tighten compression nut.



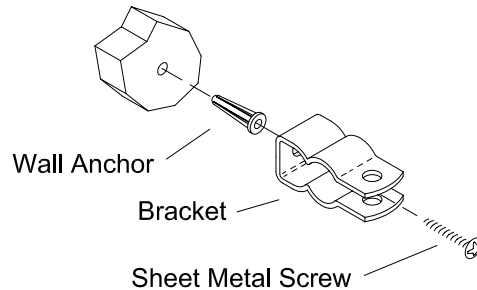
### AIR DUCT INSTALLATION (WITH ACCESS TO INSIDE OF DUCT)

1. Drill 1" hole through duct wall. Insert gland and tighten nut securely. Insert probe through gland and tighten compression nut.



### WALL INSTALLATION

1. Drill ⅜" diameter hole into wall. Insert wall anchor into hole until seated. Fasten bracket to wall with a #8 sheet metal screw.



2. Slide probe through bracket and tighten with ¼" screw and nut.

